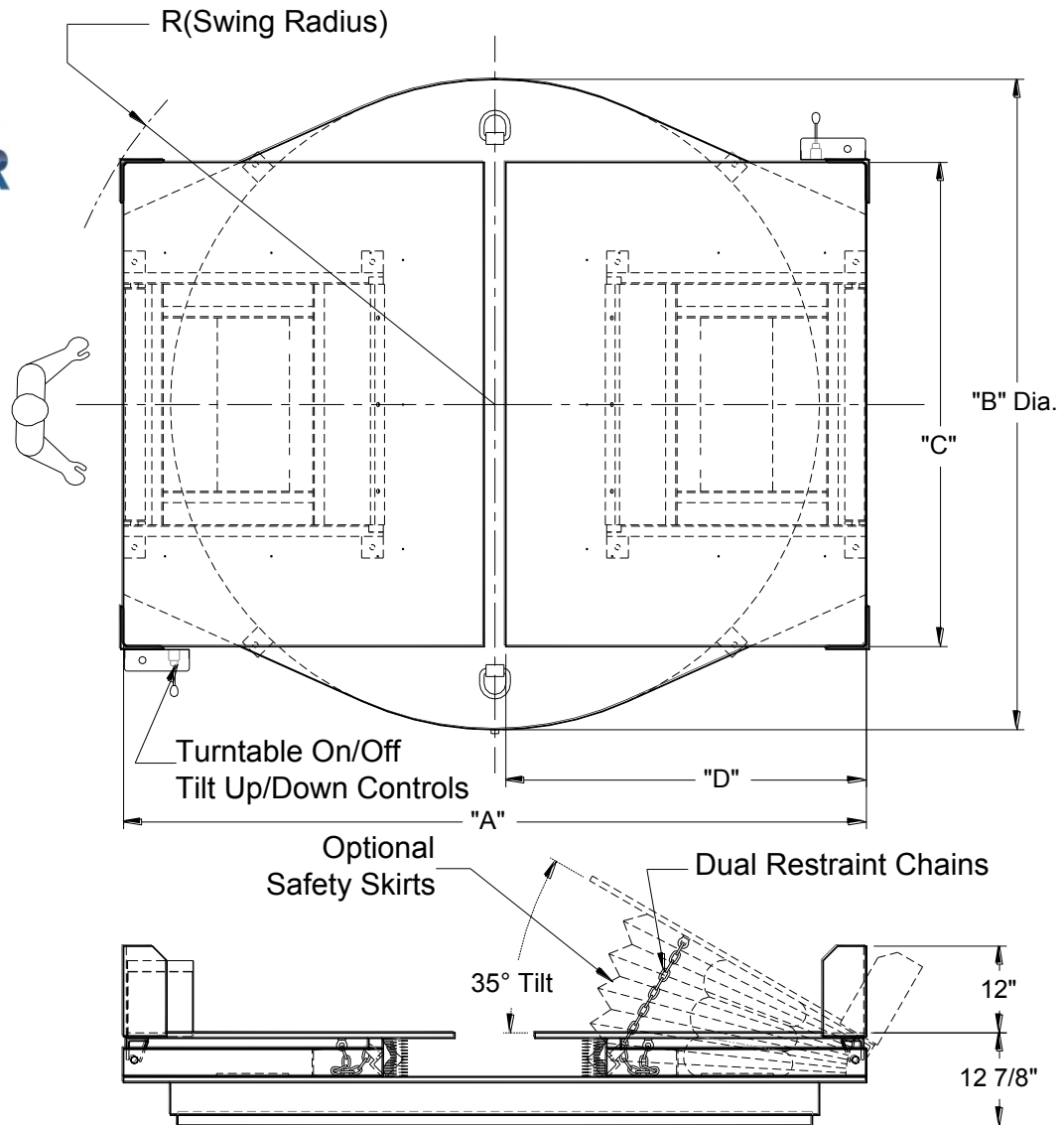




TWO POSITION TURNTABLE WITH TILT DECKS

BULLETIN
NO. 106E-4



TURNTABLE SPECIFICATIONS

- Capacity Is 4,000 lbs. Per Position
- Requires 30-40 CFM
- Pressure Of 60 to 100 PSI
- Manual Rotation

AVAILABLE OPTIONS

- Powered Rotation
- Automatic Shutoff
- Rotation Stops

Boxed Section is Container Space.

MODEL NO. *	DIMENSIONS (in.)					WT. (lbs.)
	A	B	C	D	R	
TT2-3835	73	72	38	35	41 ¹ / ₄	2,930
TT2-8441	85	84	84	41	60 ¹ / ₄	4,450
TT2-5047	97	96	50	47	55 ¹ / ₈	4,710
TT2-5650	103	102	56	50	59 ¹ / ₈	5,000
TT2-11050	103	102	110	50	75 ¹ / ₈	6,600
TT2-9856	115	96	98	56	76 ¹ / ₈	6,470

* OTHER SIZES AVAILABLE. CONSULT FACTORY.