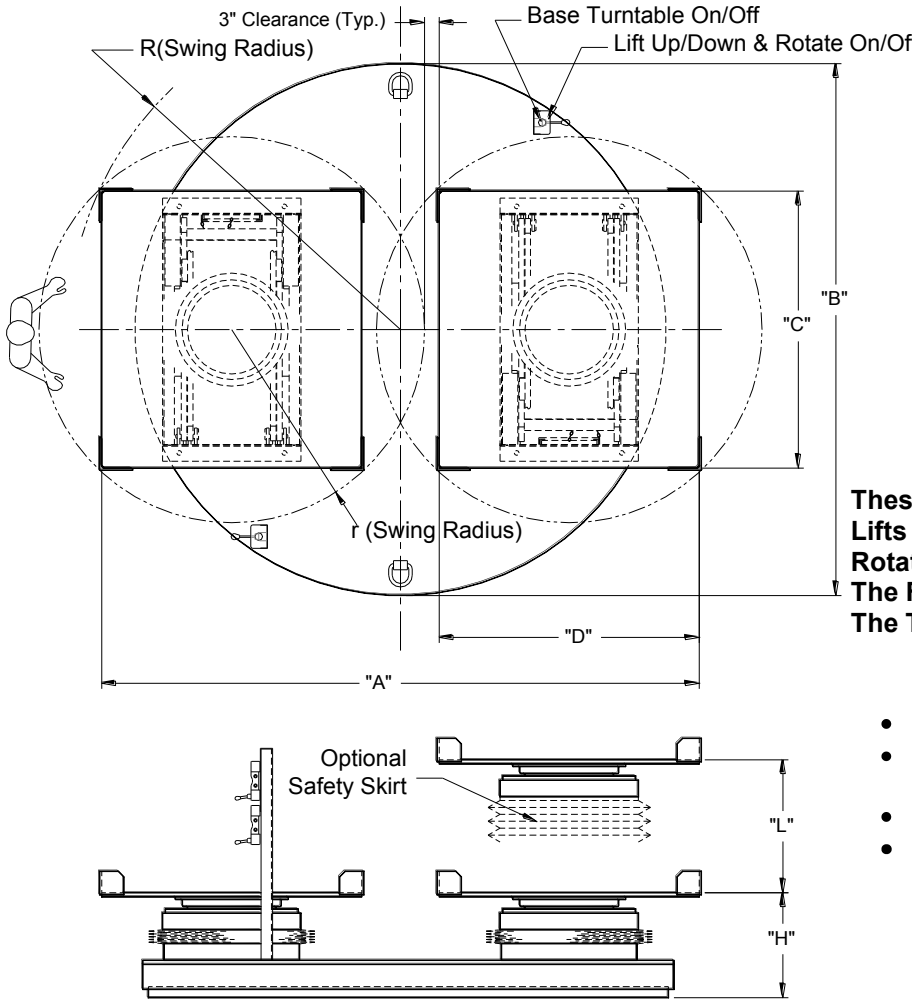




TWO POSITION TURNTABLE WITH LIFT & ROTATE DECKS

**BULLETIN
NO. 106E-10**



TURNTABLE SPECIFICATIONS

- Capacity: 2,000 to 4,000 lbs. Per Position
- Requires 30-40 CFM
- Pressure Of 85 to 100 PSI
- Manual Rotation

AVAILABLE OPTIONS

- Powered Rotation
- Automatic Shutoff
- Rotation Stops
- Accordion Skirts On Lifts
- 90° or 180° Detents
- Mechanical Lock
- (For Mechanical Rotates)

These Two Position Turntables With Pneumatic Lifts Are Available With Mechanical Bearing Rotate Decks or Air Caster Rotate Decks. See The Following Features To Assist In Selecting The Type For Your Application.

AIR CASTER ROTATE

- Lowest Force Required For Rotation
- Automatically Locks In Position When Air Is Shut Off
- Very Low Maintenance
- Limited Off-Center Load Capacity

MECHANICAL ROTATE

- Best Off-Center Load Capacity
- Easy Manual Rotation
- Pneumatic Brake Is Standard

Boxed Section is Container Space.

MODEL NO. *	CAPACITY PER POSITION	ROTATE TYPE	DIMENSIONS (in.)								WT. (lbs.)
			A	B	C	D	H	R	r	L	
TLR22-3835M	2,000	MECHANICAL	80	78	38	35	19	44 $\frac{3}{4}$	26 $\frac{3}{8}$	20	3,715
TLR22-5047M	2,000	MECHANICAL	108	96	50	47	19	60	34 $\frac{7}{8}$	24	5,715
TLR24-5047M	4,000	MECHANICAL	108	96	50	47	19	60	34 $\frac{7}{8}$	24	5,755
TLR22-5047A	2,000	AIR CASTER	108	96	50	47	19 $\frac{3}{8}$	60	34 $\frac{7}{8}$	24	5,730
TLR24-5047A	4,000	AIR CASTER	108	96	50	47	19 $\frac{3}{8}$	60	34 $\frac{7}{8}$	24	5,770
TLR22-5650M	2,000	MECHANICAL	116	108	56	50	19	65	38	24	6,010
TLR24-5650M	4,000	MECHANICAL	116	108	56	50	19	65	38	24	6,050
TLR22-5650A	2,000	AIR CASTER	116	108	56	50	19 $\frac{3}{8}$	65	38	24	6,025
TLR24-5650A	4,000	AIR CASTER	116	108	56	50	19 $\frac{3}{8}$	65	38	24	6,065

* OTHER SIZES AVAILABLE. CONSULT FACTORY.