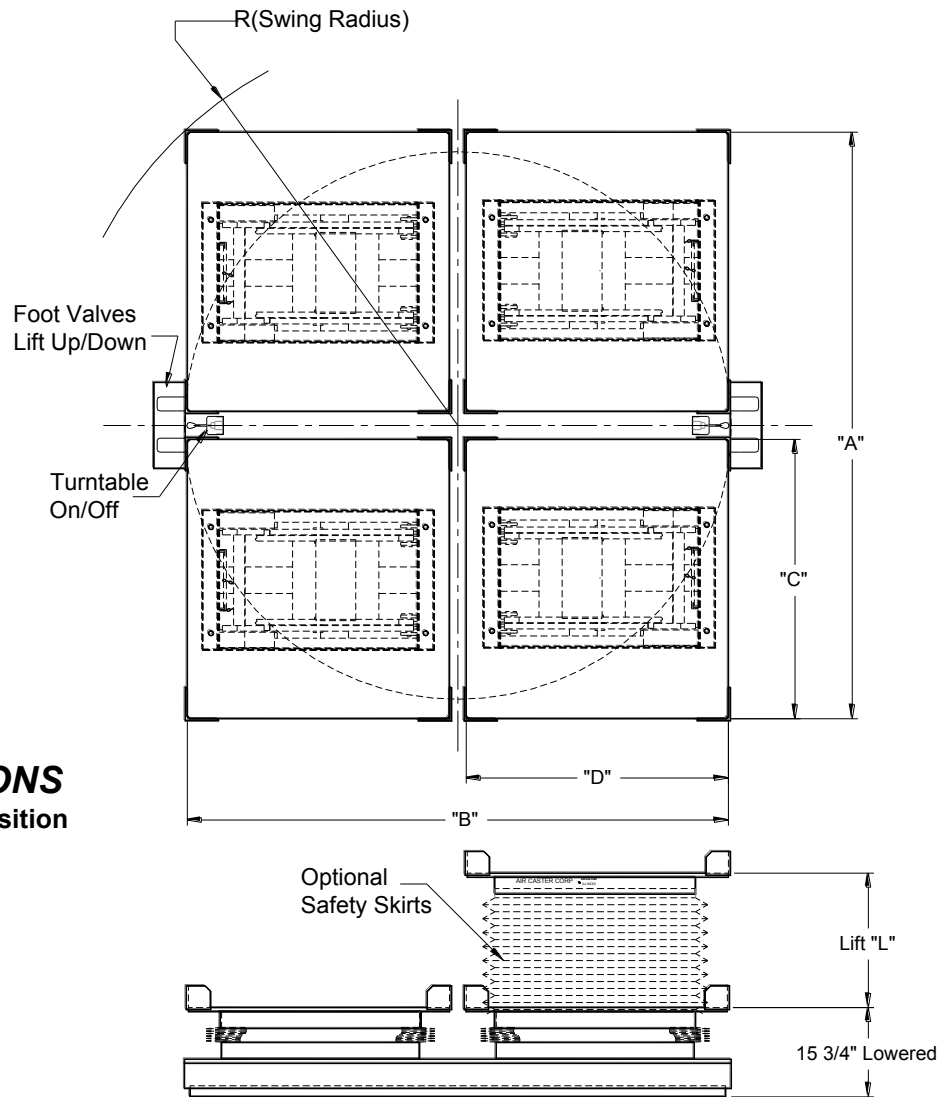




# FOUR POSITION TURNTABLE WITH PNEUMATIC LIFTS SIDE BY SIDE CONFIGURATION

BULLETIN  
NO. 106E-7  
Page 1 of 2



## TURNTABLE SPECIFICATIONS

- Capacity: 2,000 & 4,000 lbs. Per Position
- Requires 30-40 CFM
- Pressure Of 85 to 100 PSI
- Manual Rotation

## AVAILABLE OPTIONS

- Powered Rotation
- Automatic Shutoff
- Rotation Stops
- Safety Skirts On Lifts

Boxed Section is Container Space.

MODEL NO. *	CAPACITY PER POSITION (lb.)	DIMENSIONS (in.)					LIFT "L" (in.)	WT. (lbs.)
		A	B	C	D	R		
TL42-3835	2,000	81	73	38	35	55	20	4540
TL42-5047	2,000	105	97	50	47	72	24	8250
TL44-5047	4,000	105	97	50	47	72	24	8290
TL42-5650	2,000	117	103	56	50	78½	24	9220
TL44-5650	4,000	117	103	56	50	78½	24	9260

\* OTHER SIZES AVAILABLE. CONSULT FACTORY.



# FOUR POSITION TURNTABLE WITH PNEUMATIC LIFTS SIDE

BULLETIN  
NO. 106E-7  
Page 2 of 2

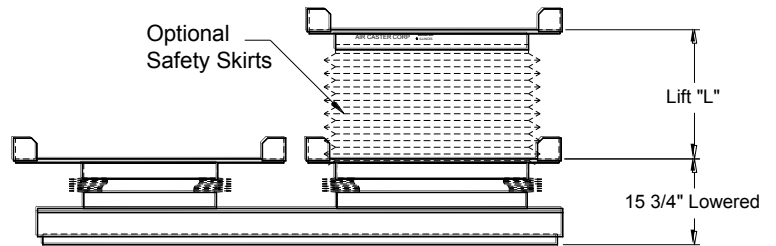
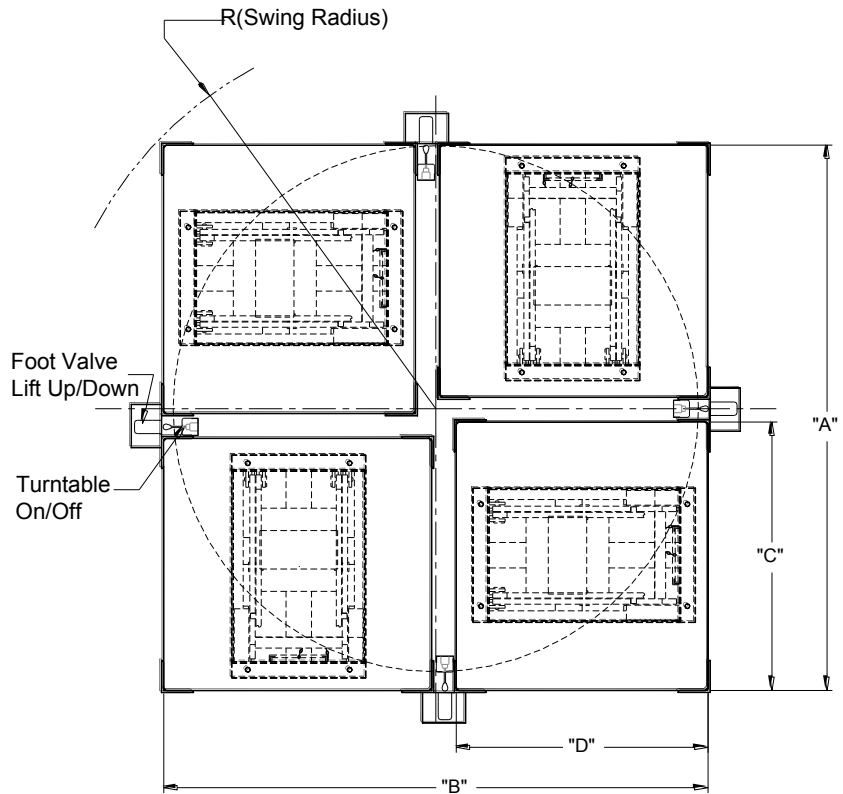
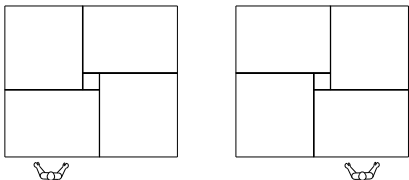
## TURNTABLE SPECIFICATIONS

- Capacity: 2,000 & 4,000 lbs.  
Per Position
- Requires 30-40 CFM
- Pressure Of 85 to 100 PSI
- Manual Rotation

## AVAILABLE OPTIONS

- Powered Rotation
- Automatic Shutoff
- Rotation Stops
- Safety Skirts On Lifts

\*Side To End Configuration Can Be Supplied  
As



Boxed Section is Container Space.

MODEL NO. **	CAPACITY PER POSITION (lb.)	DIMENSIONS (in.)					LIFT "L" (in.)	WT. (lbs.)
		A	B	C	D	R		
TL42-3835-XX	2,000	78	78	38	35	55 <sup>5</sup> / <sub>8</sub>	20	4780
TL42-5047-XX	2,000	102	102	50	47	72 <sup>5</sup> / <sub>8</sub>	24	8250
TL44-5047-XX	4,000	102	102	50	47	72 <sup>5</sup> / <sub>8</sub>	24	8290
TL42-5650-XX	2,000	111	111	56	50	79	24	9220
TL44-5650-XX	4,000	111	111	56	50	79	24	9260
TL42-11050-XX***	2,000	165	165	110	50	116 <sup>3</sup> / <sub>4</sub>	24	16490
TL44-11050-XX***	4,000	165	165	110	50	116 <sup>3</sup> / <sub>4</sub>	24	16550

\*\* -

XX: COMPLETE MODEL NO. BY ADDING L.H. or R.H.

\*\*\* THESE MODELS HAVE DUAL SCISSOR LIFTS FOR EACH POSITION.