



# FOUR POSITION TURNTABLE WITH LIFT & ROTATE DECKS SIDE BY SIDE CONFIGURATION

**BULLETIN  
NO. 106E-11  
Page 1 of 2**

## TURNTABLE SPECIFICATIONS

- Capacity: 2,000 to 4,000 lbs. Per Position
- Requires 30-40 CFM
- Pressure Of 85 to 100 PSI
- Manual Rotation

## AVAILABLE OPTIONS

- Powered Rotation
- Automatic Shutoff
- Rotation Stops
- Accordion Skirts On Lifts
- 90° or 180° Detents
- Mechanical Lock
- (For Mechanical Rotates)

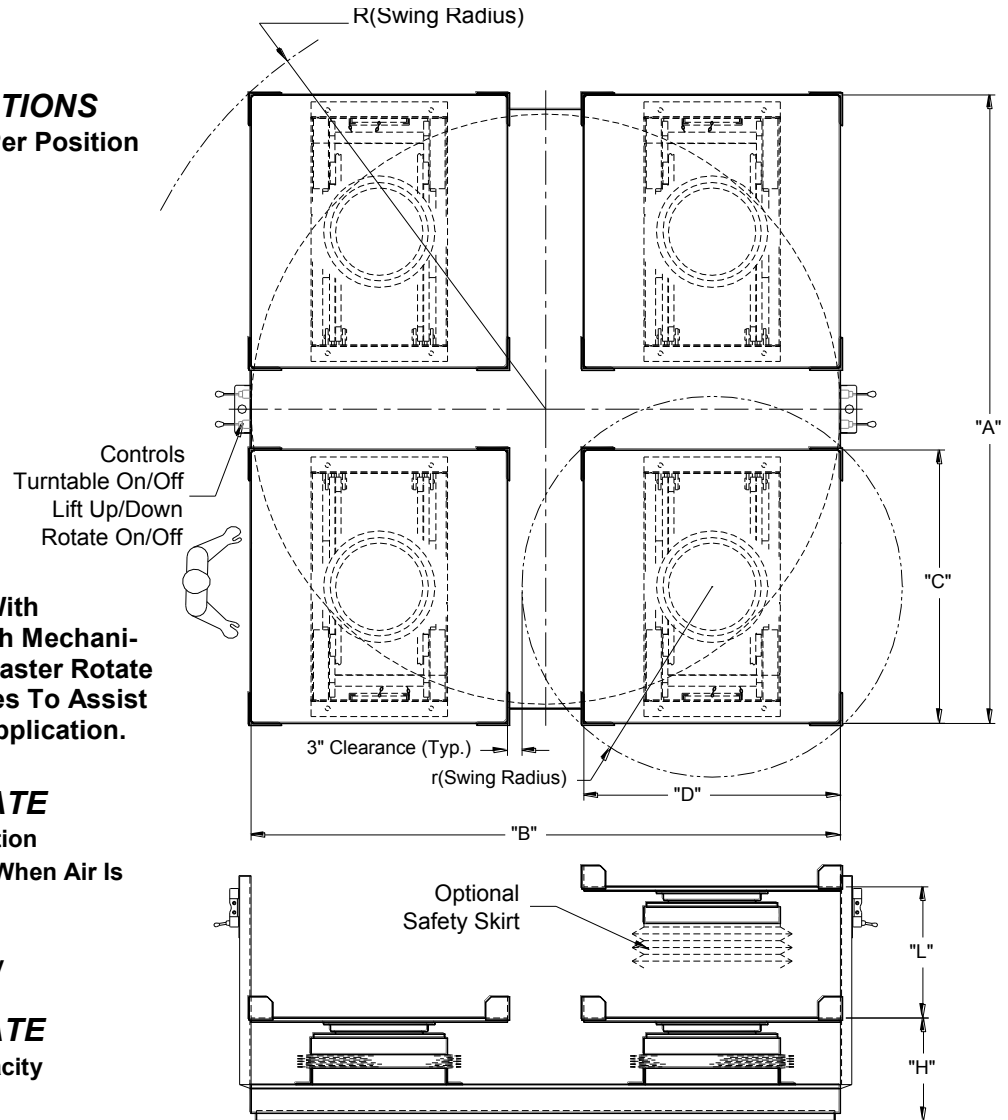
These Four Position Turntables With Pneumatic Lifts Are Available With Mechanical Bearing Rotate Decks or Air Caster Rotate Decks. See The Following Features To Assist In Selecting The Type For Your Application.

## AIR CASTER ROTATE

- Lowest Force Required For Rotation
- Automatically Locks In Position When Air Is Shut Off
- Very Low Maintenance
- Limited Off-Center Load Capacity

## MECHANICAL ROTATE

- Best Off-Center Load Capacity
- Easy Manual Rotation
- Pneumatic Brake Is Standard



Boxed Section is Container Space.

MODEL NO. *	CAPACITY PER POSITION	ROTATE TYPE	DIMENSIONS (in.)								WT. (lbs.)
			A	B	C	D	H	R	r	L	
TLR42-3835M	2,000	MECHANICAL	88	84	38	35	19	61 $\frac{1}{4}$	26 $\frac{3}{8}$	20	5,590
TLR42-5047M	2,000	MECHANICAL	115	108	50	47	19	79 $\frac{3}{8}$	34 $\frac{3}{4}$	24	8,995
TLR44-5047M	4,000	MECHANICAL	115	108	50	47	19	79 $\frac{3}{8}$	34 $\frac{3}{4}$	24	9,105
TLR42-5047A	2,000	AIR CASTER	115	108	50	47	19 $\frac{3}{8}$	79 $\frac{3}{8}$	34 $\frac{3}{4}$	24	9,025
TLR44-5047A	4,000	AIR CASTER	115	108	50	47	19 $\frac{3}{8}$	79 $\frac{3}{8}$	34 $\frac{3}{4}$	24	9,135
TLR42-5650M	2,000	MECHANICAL	127	120	56	50	19	86 $\frac{1}{2}$	38	24	9,982
TLR44-5650M	4,000	MECHANICAL	127	120	56	50	19	86 $\frac{1}{2}$	38	24	10,095
TLR42-5650A	2,000	AIR CASTER	127	120	56	50	19 $\frac{3}{8}$	86 $\frac{1}{2}$	38	24	10,015
TLR44-5650A	4,000	AIR CASTER	127	120	56	50	19 $\frac{3}{8}$	86 $\frac{1}{2}$	38	24	10,125

\* OTHER SIZES AVAILABLE. CONSULT FACTORY.



# FOUR POSITION TURNTABLE WITH LIFT & ROTATE DECKS SIDE TO END CONFIGURATION\*

**BULLETIN  
NO. 106E-11  
Page 2 of 2**

### TURNTABLE SPECIFICATIONS

- Capacity: 2,000 to 4,000 lbs. Per Position
- Requires 30-40 CFM
- Pressure Of 85 to 100 PSI
- Manual Rotation

### AVAILABLE OPTIONS

- Powered Rotation
- Automatic Shutoff
- Rotation Stops
- Accordion Skirts On Lifts
- 90° or 180° Detents
- Mechanical Lock
- (For Mechanical Rotates)

These Four Position Turntables With Pneumatic Lifts Are Available With Mechanical Bearing Rotate Decks or Air Caster Rotate Decks. See The Following Features To Assist In Selecting The Type For Your Application.

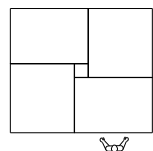
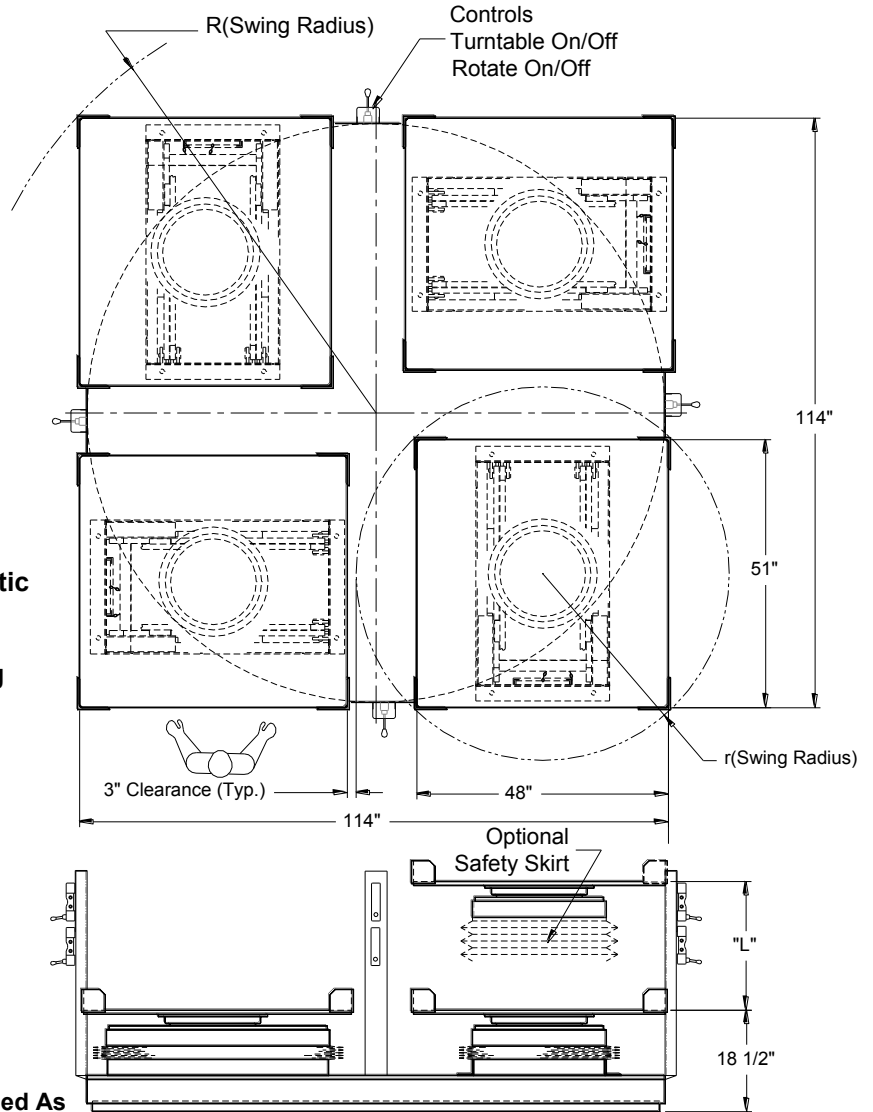
### AIR CASTER ROTATE

- Lowest Force Required For Rotation
- Automatically Locks In Position When Air Is Shut Off
- Very Low Maintenance
- Limited Off-Center Load Capacity

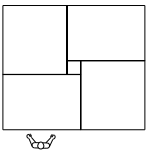
### MECHANICAL ROTATE

- Best Off-Center Load Capacity
- Easy Manual Rotation
- Pneumatic Brake Is Standard

\*Side To End Configuration Can Be Supplied As "Left Hand" (Shown) or "Right Hand" Units.



RIGHT HAND



LEFT HAND

MODEL NO. **	CAPACITY PER POSITION	ROTATE TYPE	DIMENSIONS (in.)								WT. (lbs.)
			A	B	C	D	H	R	r	L	
TLR42-3835M-XX	2,000	MECH.	86	86	38	35	19	61 1/4	26 3/8	20	5,580
TLR42-5047M-XX	2,000	MECH.	110	110	50	47	19	78 3/4	34 3/4	24	8,995
TLR44-5047M-XX	4,000	MECH.	110	110	50	47	19	78 3/4	34 3/4	24	9,105
TLR42-5047A-XX	2,000	A.C.	110	110	50	47	19 3/8	78 3/4	34 3/4	24	9,025
TLR44-5047A-XX	4,000	A.C.	110	110	50	47	19 3/8	78 3/4	34 3/4	24	9,135
TLR42-5650M-XX	2,000	MECH.	120	120	56	50	19	85 3/8	38	24	9,915
TLR44-5650M-XX	4,000	MECH.	120	120	56	50	19	85 3/8	38	24	10,025
TLR42-5650A-XX	2,000	A.C.	120	120	56	50	19 3/8	85 3/8	38	24	9,945
TLR44-5650A-XX	4,000	A.C.	120	120	56	50	19 3/8	85 3/8	38	24	10,145

\*\* -XX: COMPLETE MODEL NO. BY ADDING L.H. or R.H.