

FOUR POSITION TURNTABLE WITH ROTATE DECKS SIDE BY SIDE CONFIGURATION

TURNTABLE SPECIFICATIONS

- Capacity: 4,000 lbs. Per Position
- Requires 30-40 CFM
- Pressure Of 65 to 100 PSI
- Manual Rotation

AVAILABLE OPTIONS

- Powered Rotation
- Automatic Shutoff
- Rotation Stops On Base Turntable

These Four Position Turntables Are Available With Mechanical Bearing Rotate Decks or Air Caster Rotate Decks. See The Following Features To Assist In Selecting The Type For Your Application.

AIR CASTER ROTATE

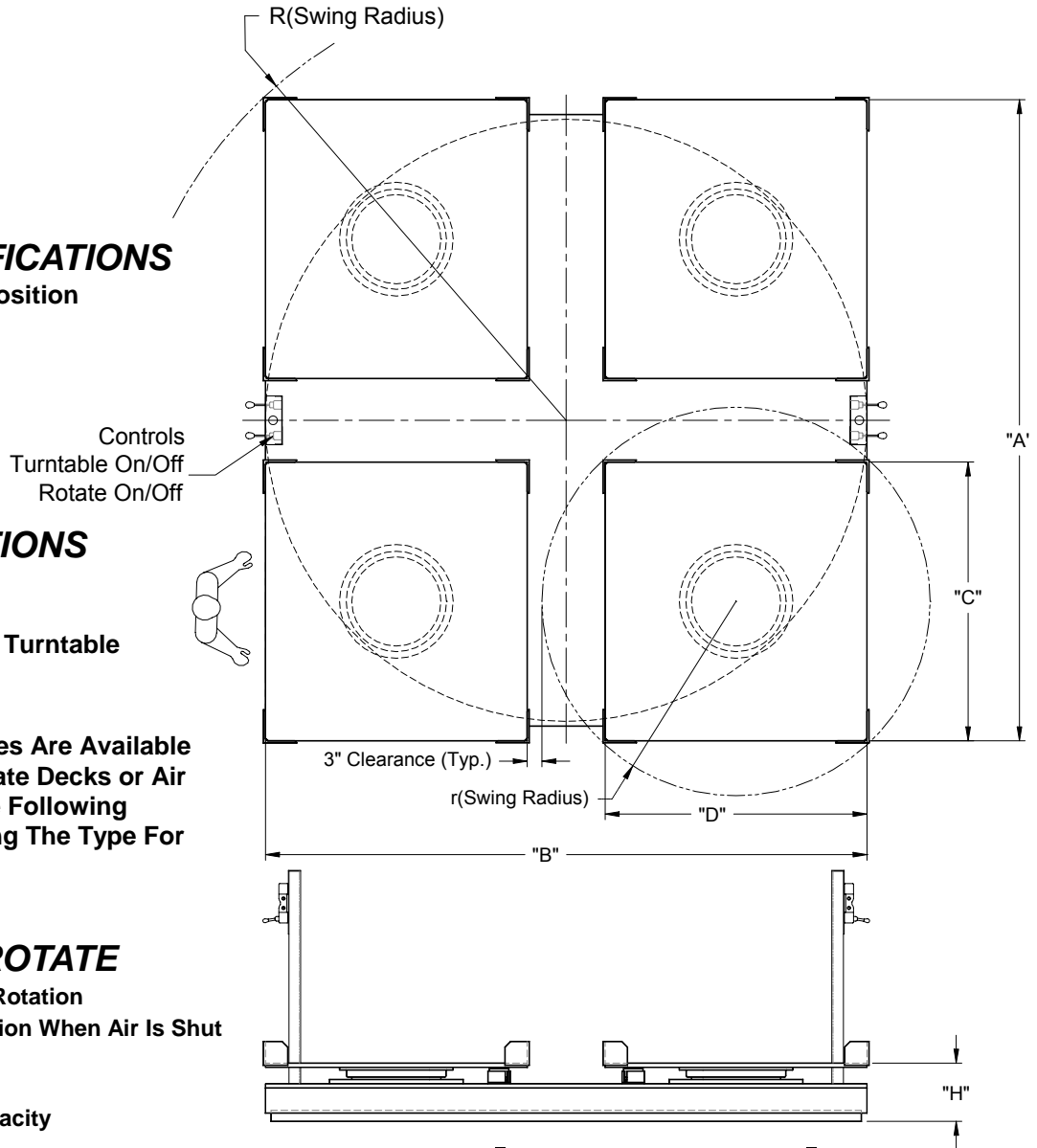
- Lowest Force Required For Rotation
- Automatically Locks In Position When Air Is Shut Off
- Very Low Maintenance
- Limited Off-Center Load Capacity

MECHANICAL ROTATE

- Best Off-Center Load Capacity
- Easy Manual Rotation
- Pneumatic Brake Is Standard

ROTATE DECK OPTIONS

- 90° or 180° Detents
- Mechanical Lock
- (For Mechanical Rotates)



Boxed Section is Container Space.

MODEL NO. *	ROTATE TYPE	DIMENSIONS (in.)							WT. (lbs.)
		A	B	C	D	H	R	r	
TR4-3835M	MECH.	88	84	38	35	9 $\frac{3}{4}$	61 $\frac{1}{4}$	26 $\frac{3}{8}$	4,110
TR4-5047M	MECH.	115	108	50	47	9 $\frac{3}{4}$	79 $\frac{3}{8}$	34 $\frac{3}{4}$	6,660
TR4-5047A	A.C.	115	108	50	47	10 $\frac{1}{8}$	79 $\frac{3}{8}$	34 $\frac{3}{4}$	6,620
TR4-5650M	MECH.	127	120	56	50	9 $\frac{3}{4}$	86 $\frac{1}{2}$	38	7,645
TR4-5650A	A.C.	127	120	56	50	10 $\frac{1}{8}$	86 $\frac{1}{2}$	38	7,605

* OTHER SIZES AVAILABLE. CONSULT FACTORY.



FOUR POSITION TURNTABLE WITH ROTATE DECKS SIDE TO END CONFIGURATION*

**BULLETIN
NO. 106E-9
Page 2 of 2**

TURNTABLE SPECIFICATIONS

- Capacity: 4,000 lbs. Per Position
- Requires 30-40 CFM
- Pressure Of 65 to 100 PSI
- Manual Rotation

AVAILABLE OPTIONS

- Powered Rotation
- Automatic Shutoff
- Rotation Stops On Base Turntable

These Four Position Turntables Are Available With Mechanical Bearing Rotate Decks or Air Caster Rotate Decks. See The Following Features To Assist In Selecting The Type For Your Application.

AIR CASTER ROTATE

- Lowest Force Required For Rotation
- Automatically Locks In Position When Air Is Shut Off
- Very Low Maintenance
- Limited Off-Center Load Capacity

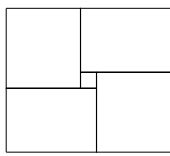
MECHANICAL ROTATE

- Best Off-Center Load Capacity
- Easy Manual Rotation
- Pneumatic Brake Is Standard

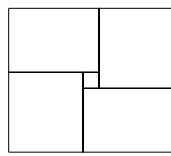
ROTATE DECK OPTIONS

- 90° or 180° Detents
- Mechanical Lock
- (For Mechanical Rotates)

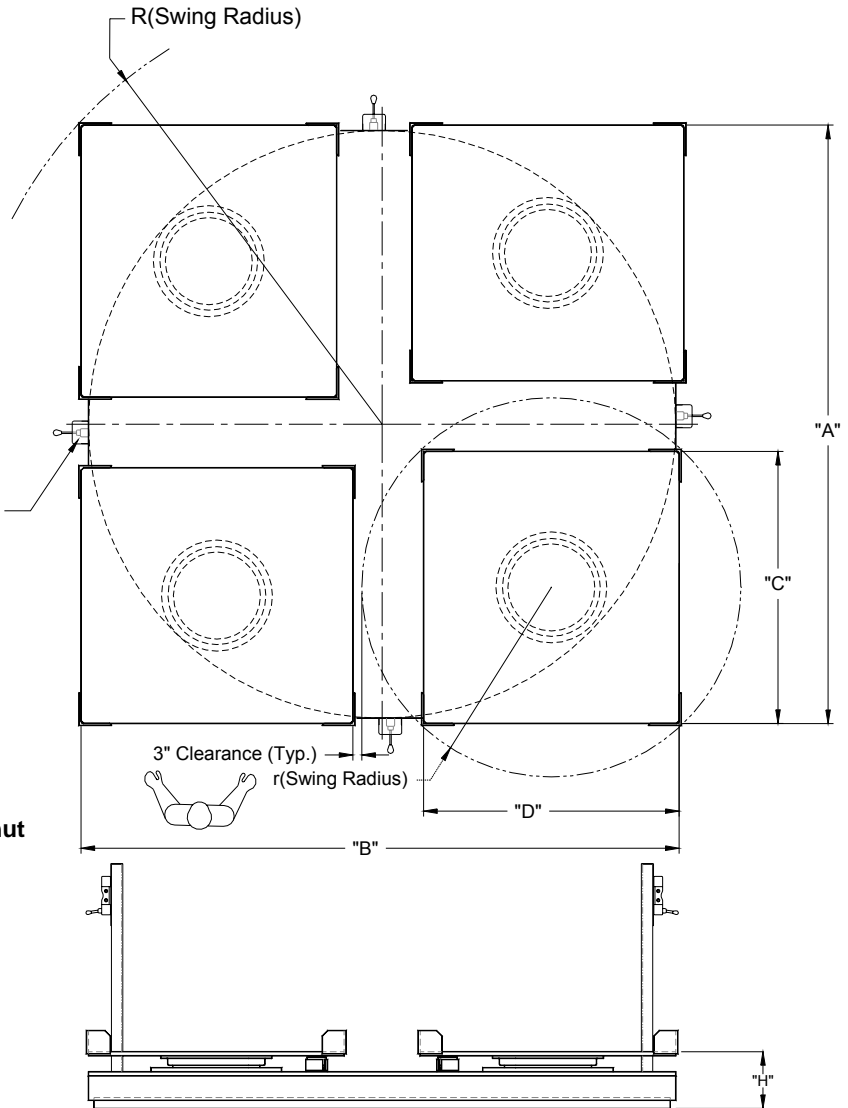
*Side To End Configuration Can Be Supplied As "Left Hand" (Shown) or "Right Hand" Units.



LEFT HAND



RIGHT HAND



MODEL NO. **	ROTATE TYPE	DIMENSIONS (in.)							WT. (lbs.)
		A	B	C	D	H	R	r	
TR4-3835M-XX	MECH.	86	86	38	35	9 ³ / ₄	61 ¹ / ₄	26 ³ / ₈	4,110
TR4-5047M-XX	MECH.	110	110	50	47	9 ³ / ₄	78 ¹ / ₄	34 ³ / ₄	6,660
TR4-5047A-XX	A.C.	110	110	50	47	10 ⁷ / ₈	78 ¹ / ₄	34 ³ / ₄	6,620
TR4-5650M-XX	MECH.	120	120	56	50	9 ³ / ₄	85 ³ / ₈	38	7,645
TR4-5650A-XX	A.C.	120	120	56	50	10 ⁷ / ₈	85 ³ / ₈	38	7,605

** -XX: COMPLETE MODEL NO. BY ADDING L.H. or R.H.
OTHER SIZES AVAILABLE. CONSULT FACTORY.

